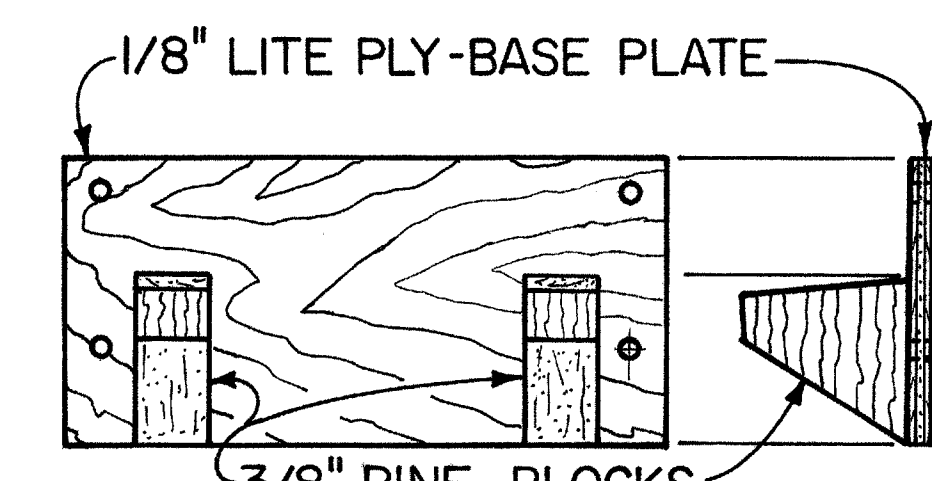


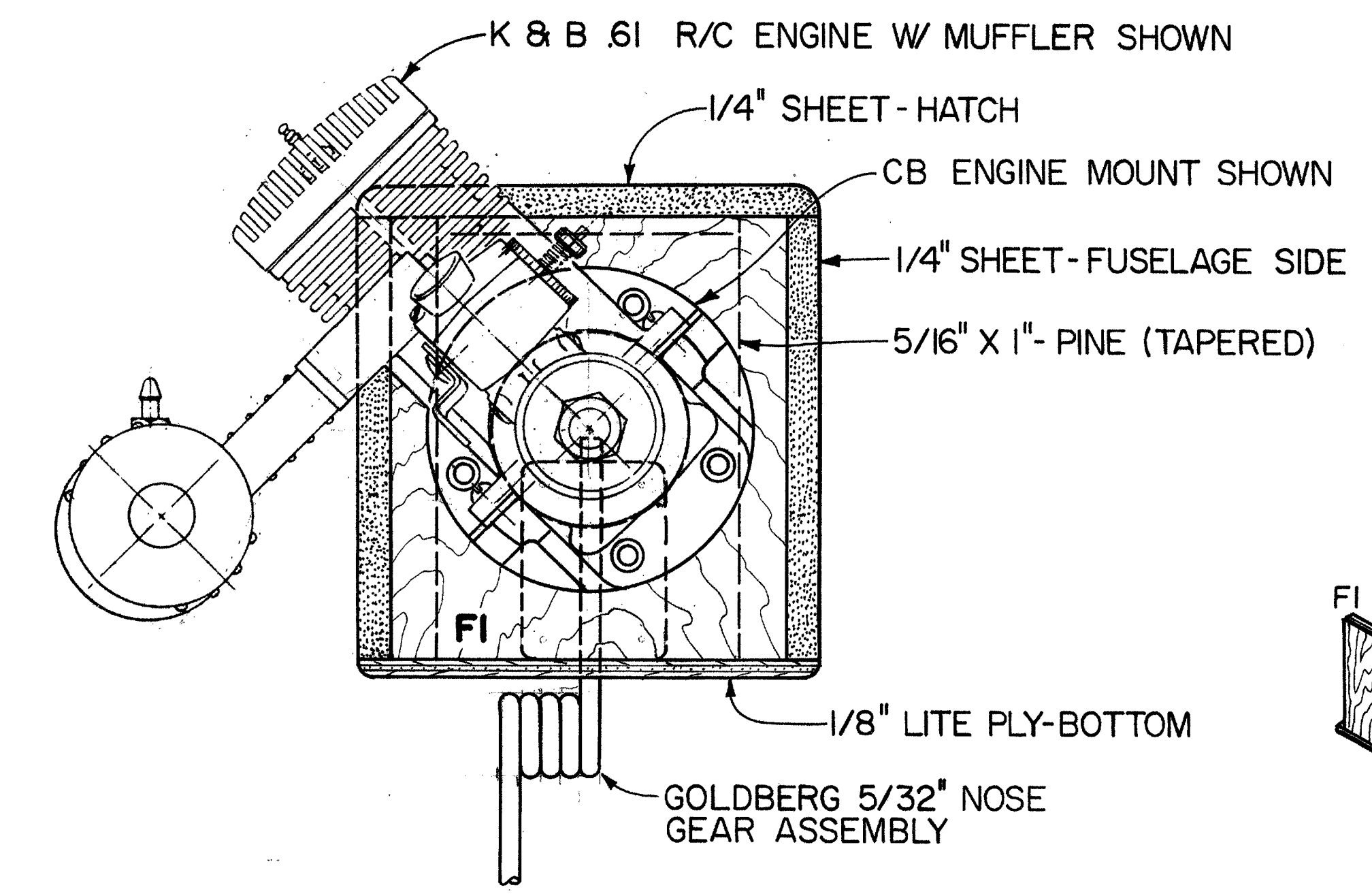
**LANDING GEAR DETAIL**



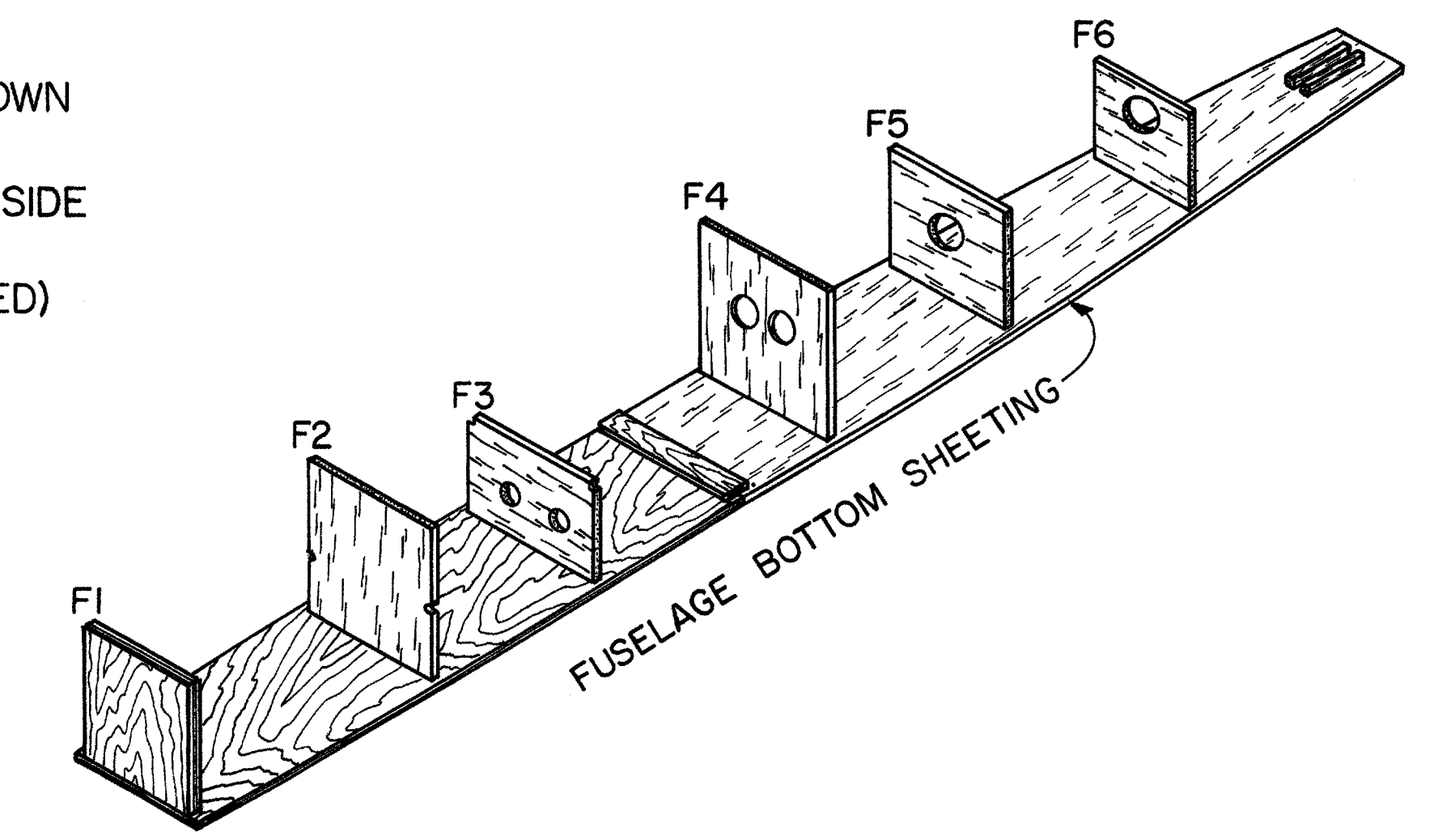
**AILERON SERVO MOUNTING PLATE**  
(UNIT SHOWN IS FOR A FUTABA FP-S28 SERVO FOR OTHER SERVO TYPES, ALTER UNIT PIECE SIZE & SPACING, / AS REQUIRED.)

**CONTROL SURFACE TRAVEL LIMITS**

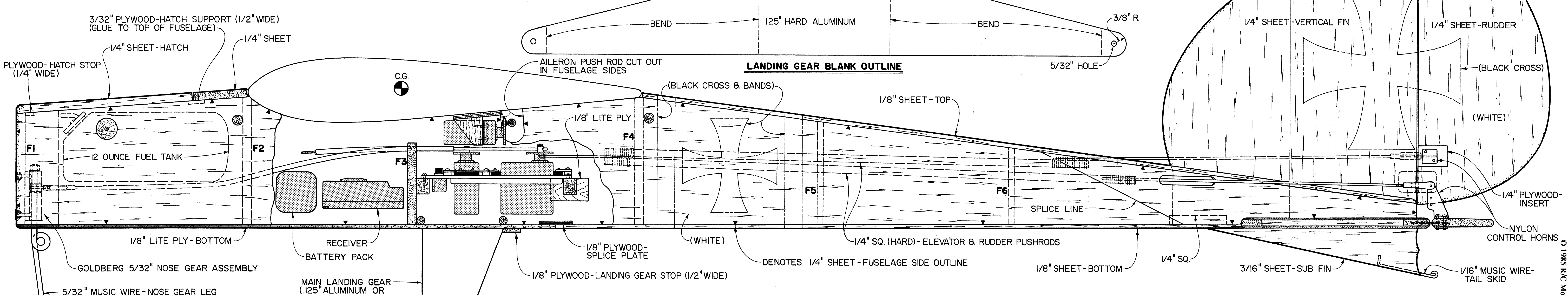
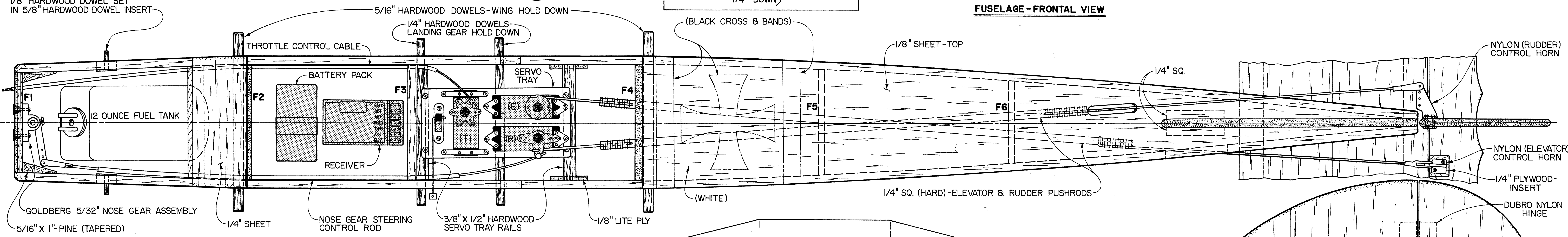
ELEVATOR	- 3/8" UP	(MEASURED AT TRAILING EDGE LIMIT OF CONTROL SURFACE)
	3/8" DOWN	
RUDDER	- 1" LEFT	(MEASURED AT TRAILING EDGE LIMIT OF CONTROL SURFACE)
	1" RIGHT	
AILERONS	- 5/16" UP	(MEASURED AT TRAILING EDGE LIMIT OF CONTROL SURFACE)
	1/4" DOWN	



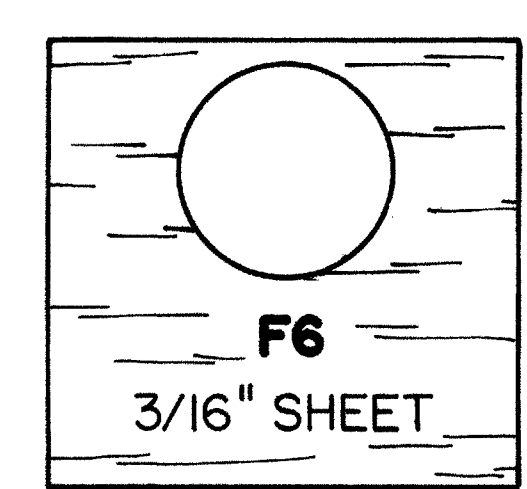
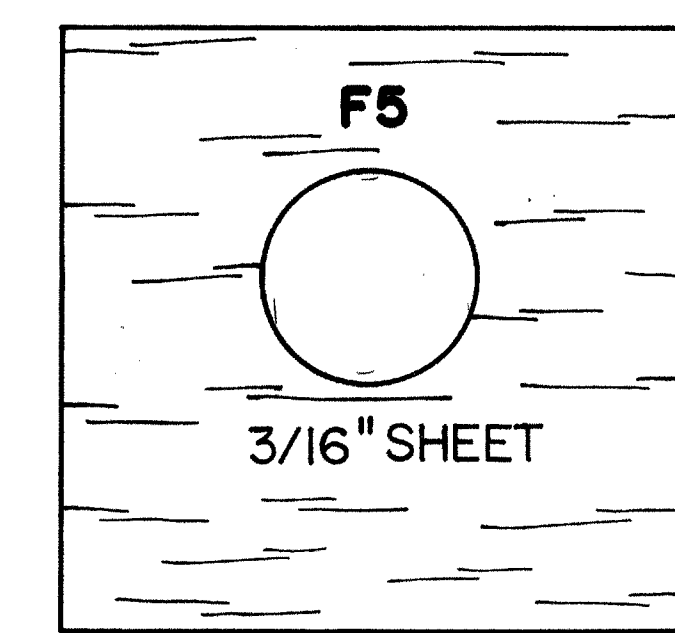
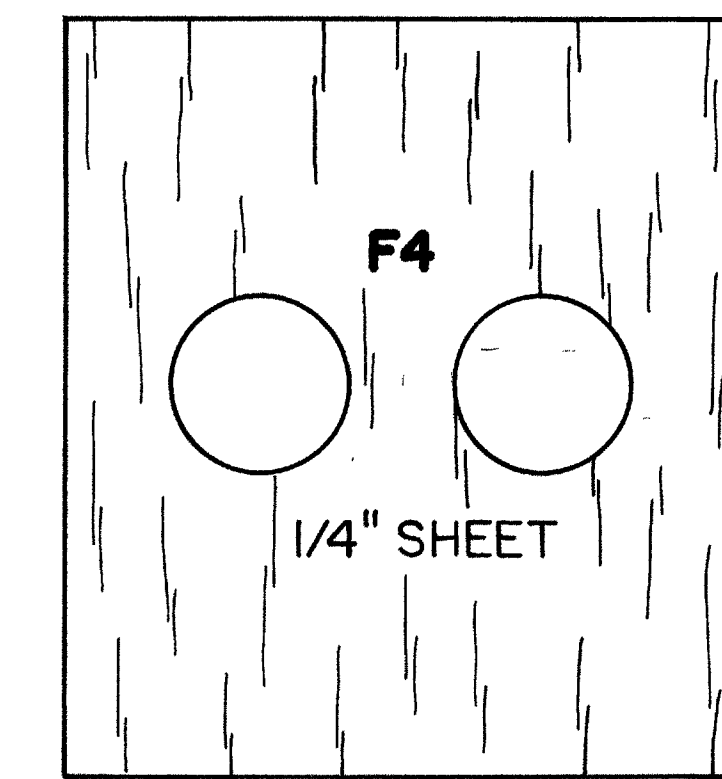
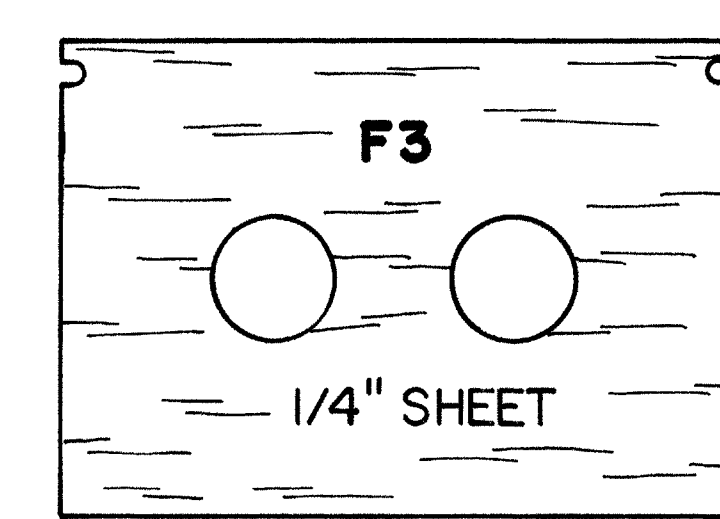
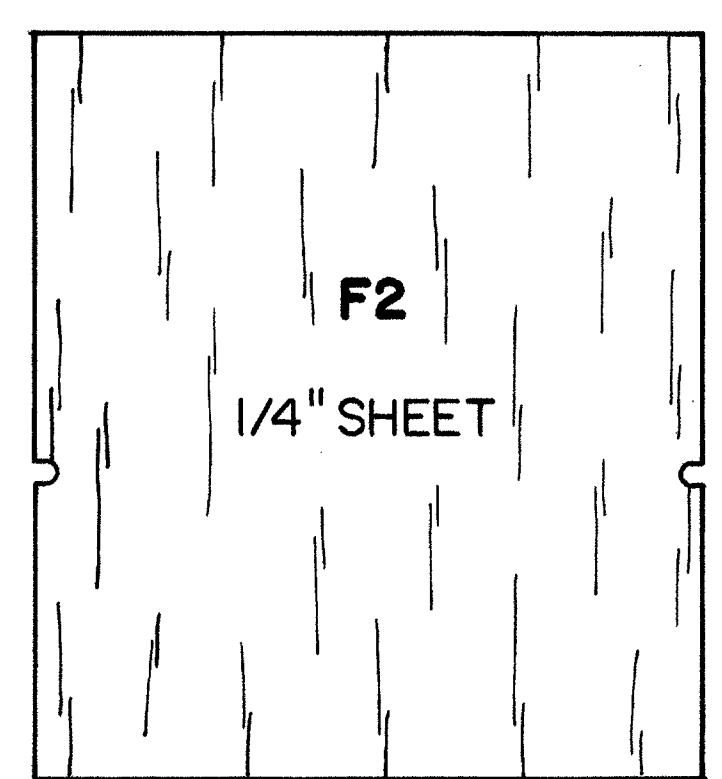
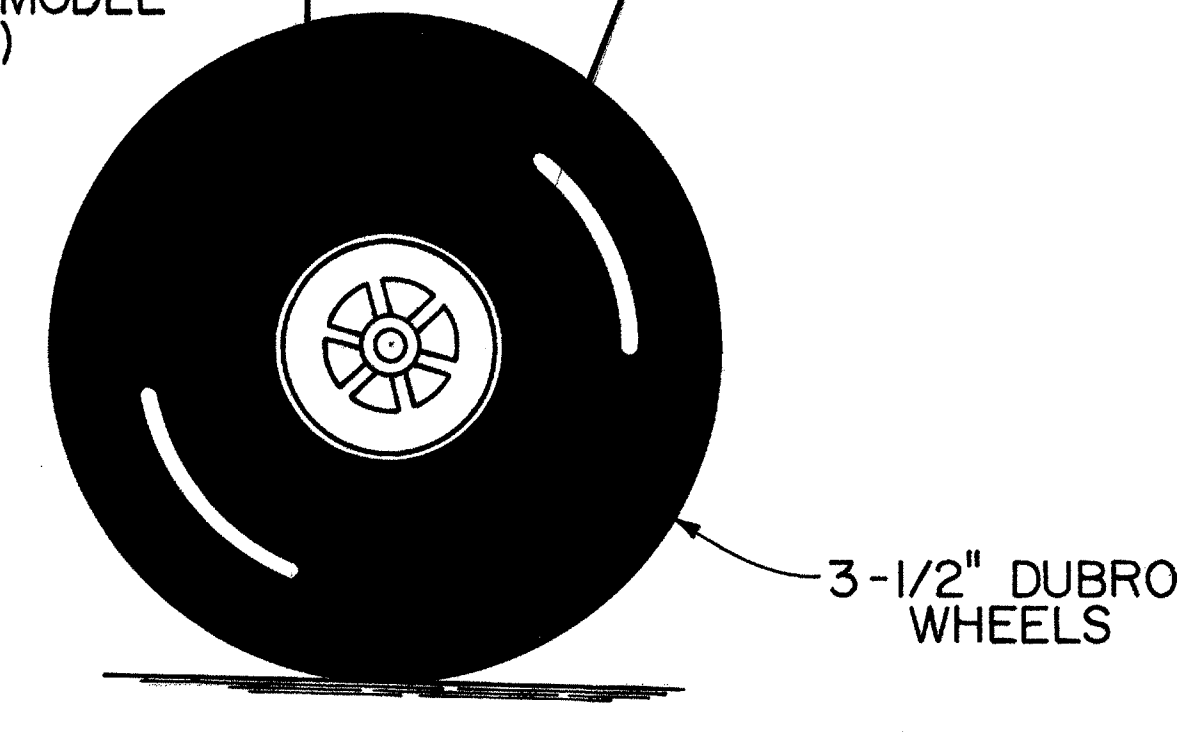
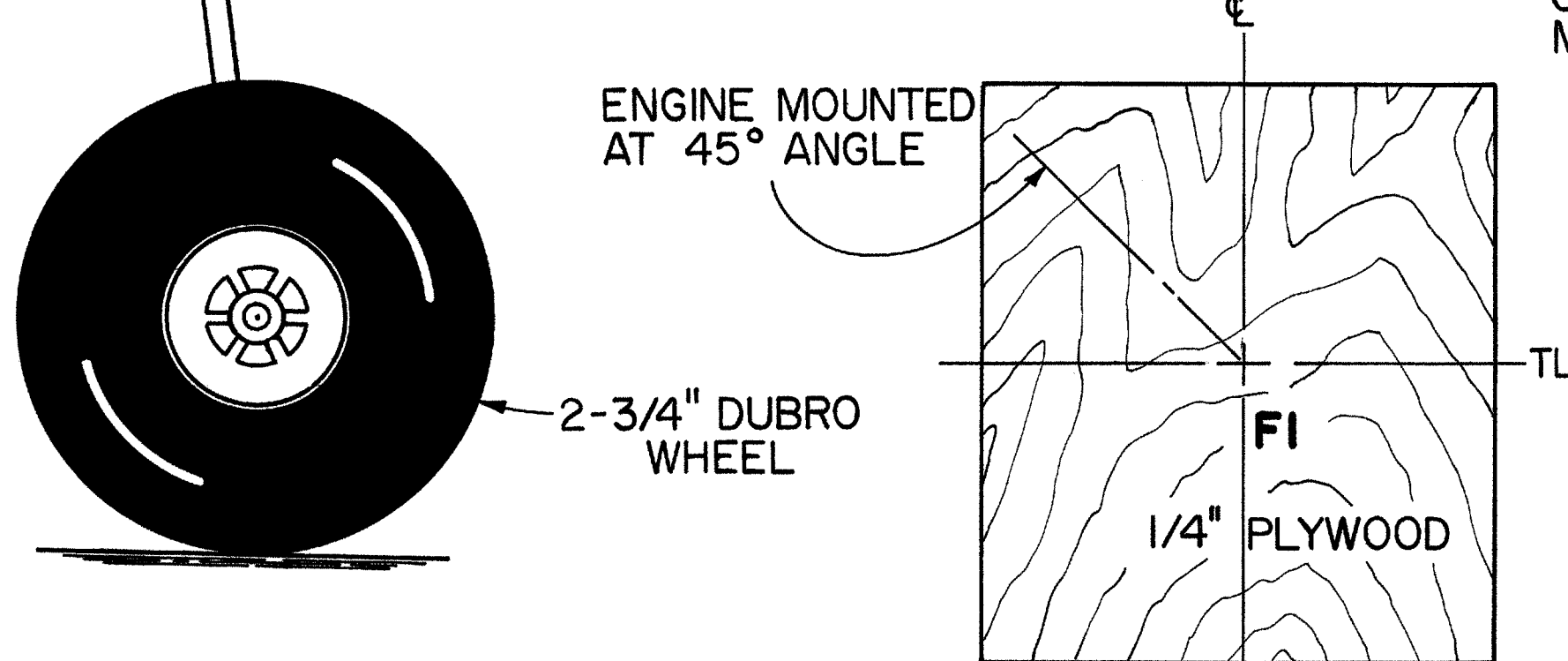
**FUSELAGE - FRONTAL VIEW**



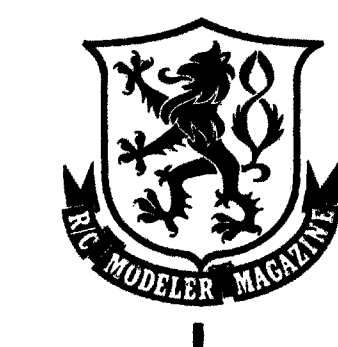
**FUSELAGE FORMER ASSEMBLY DETAIL**



**LANDING GEAR BLANK OUTLINE**



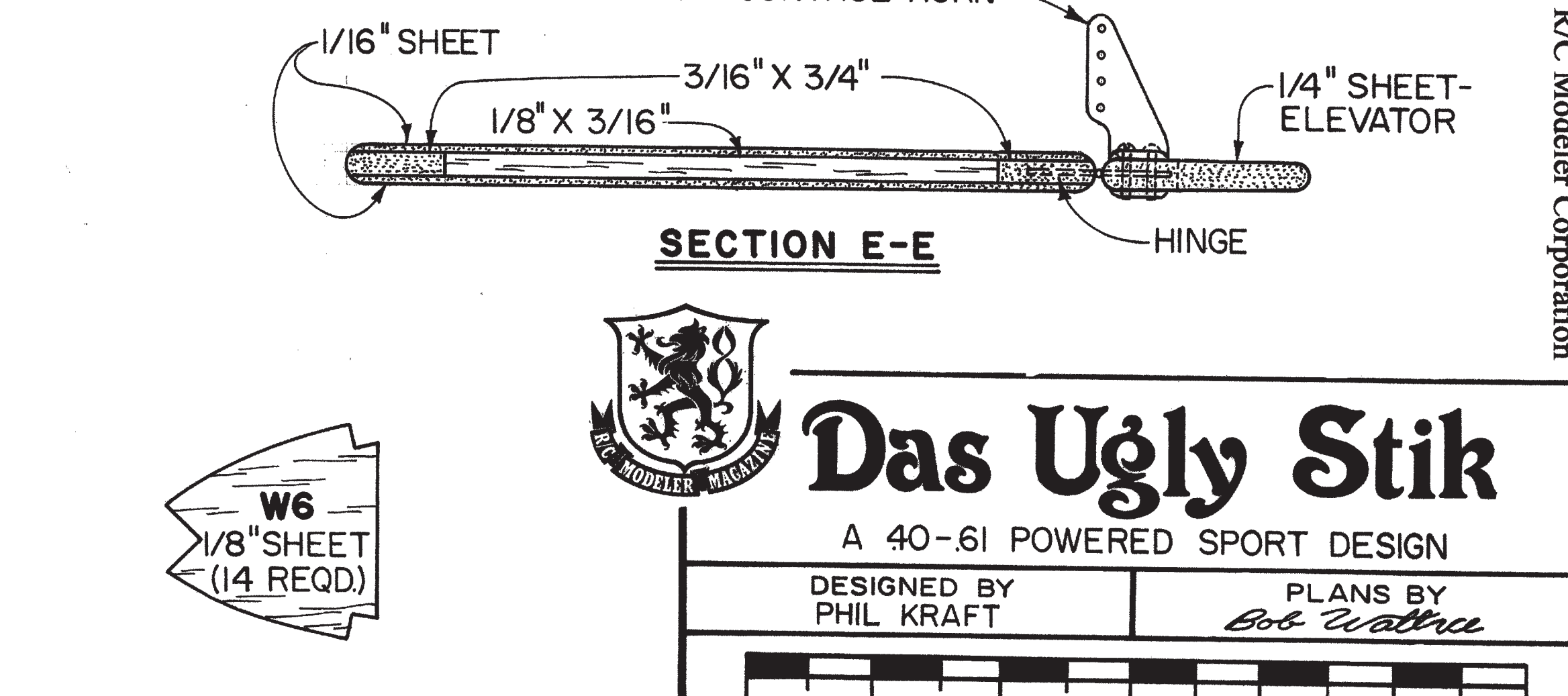
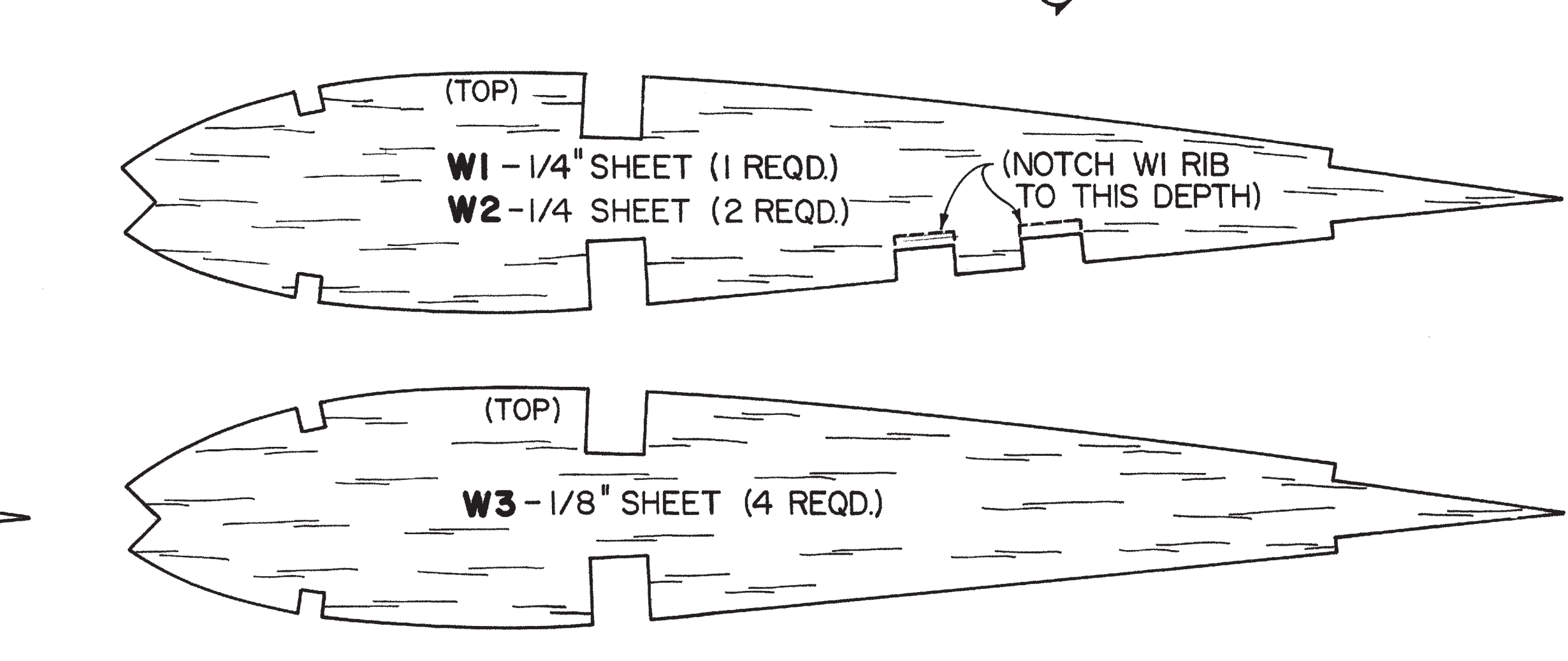
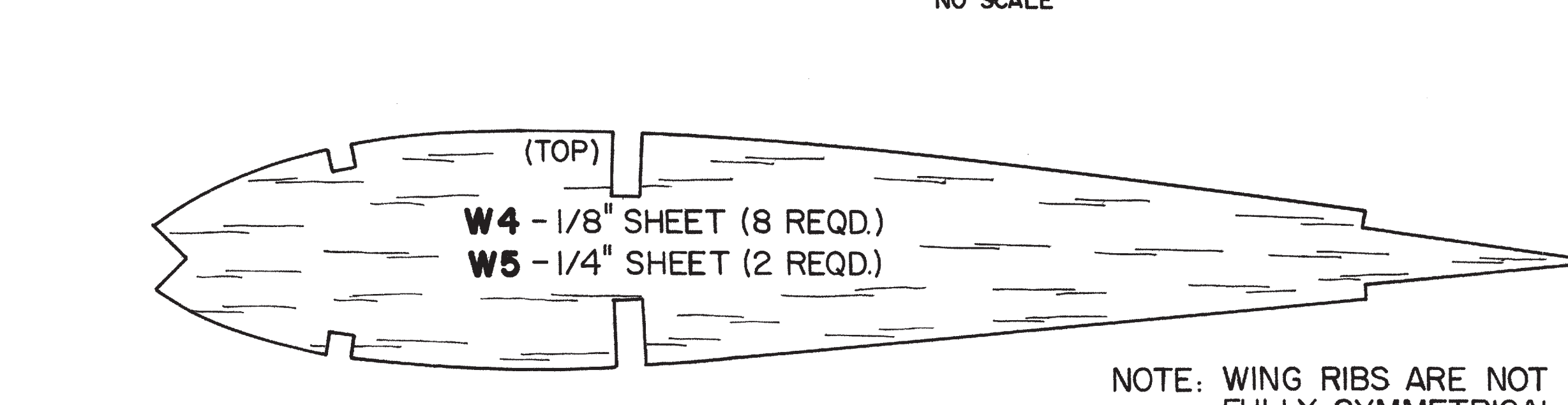
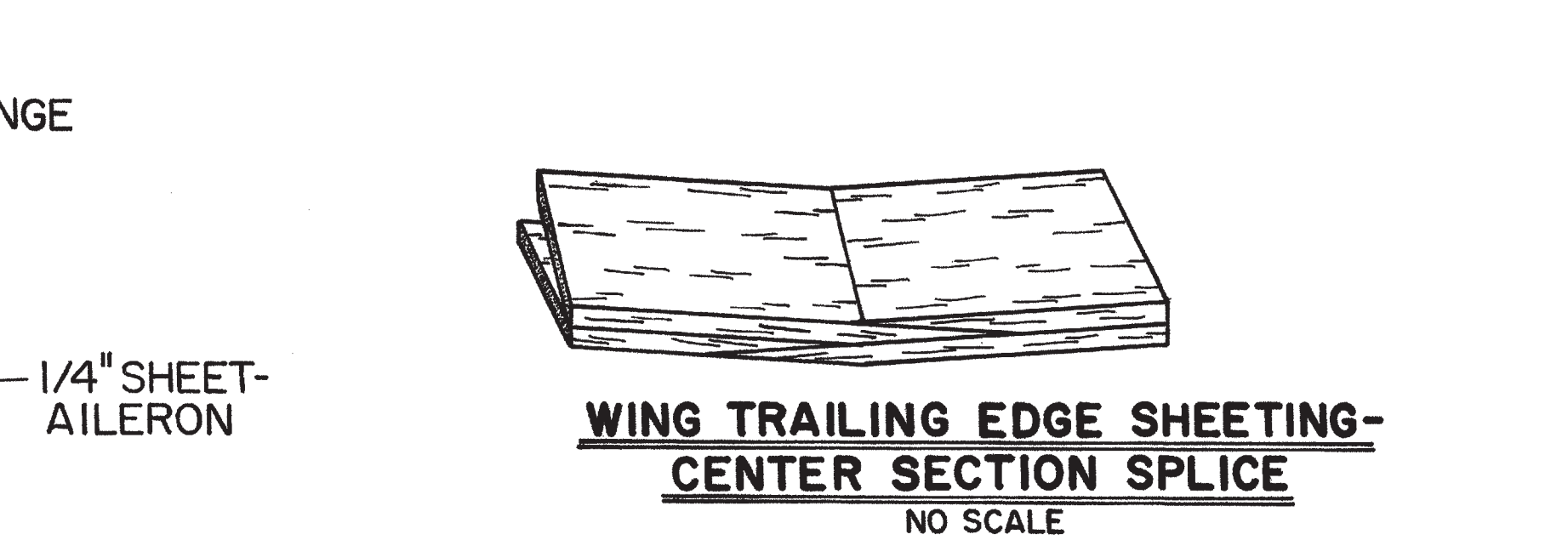
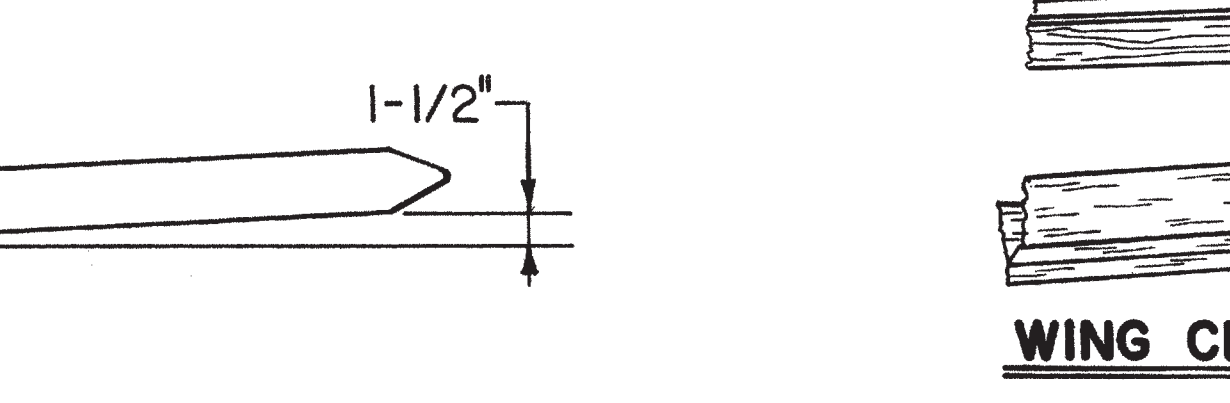
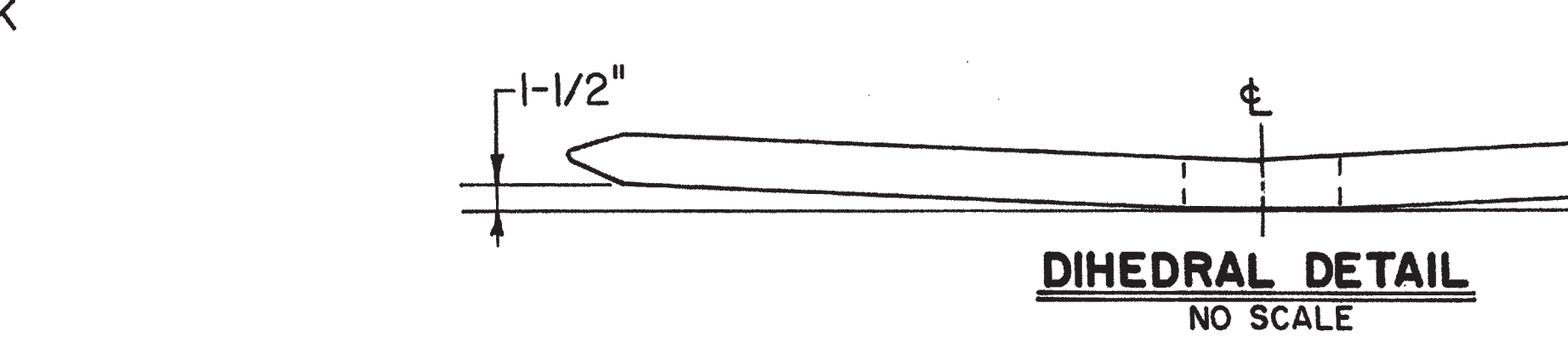
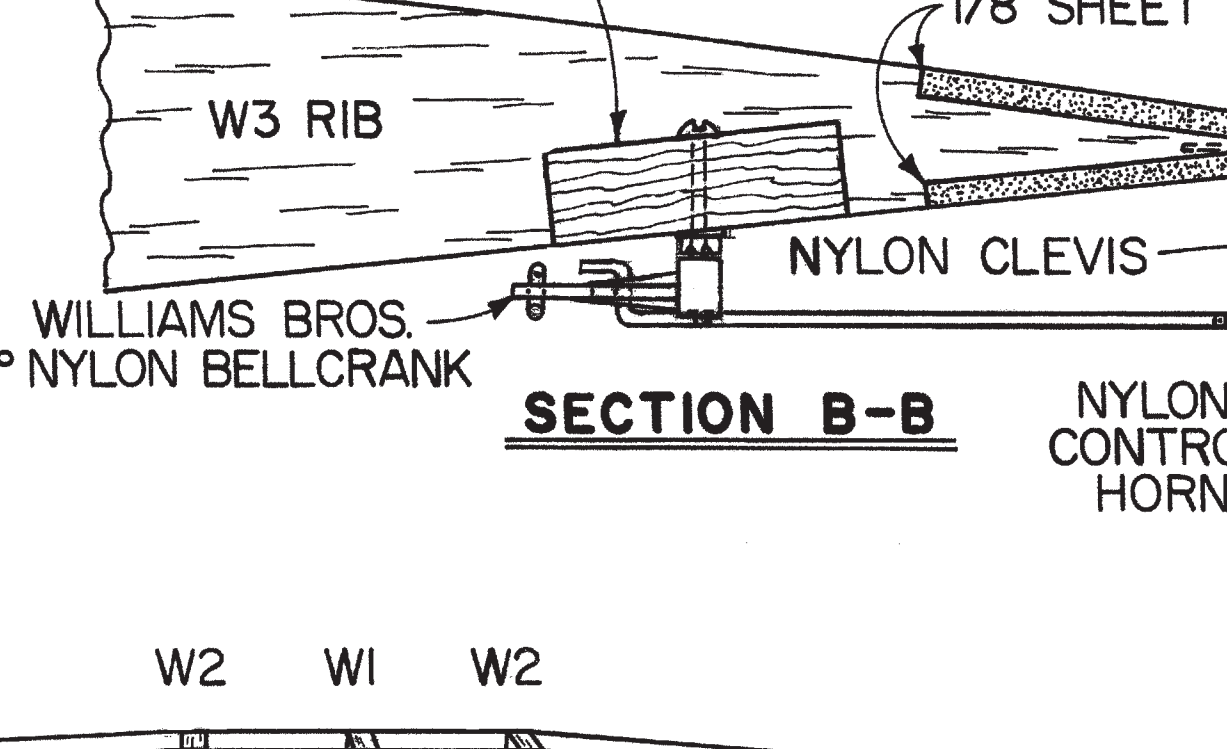
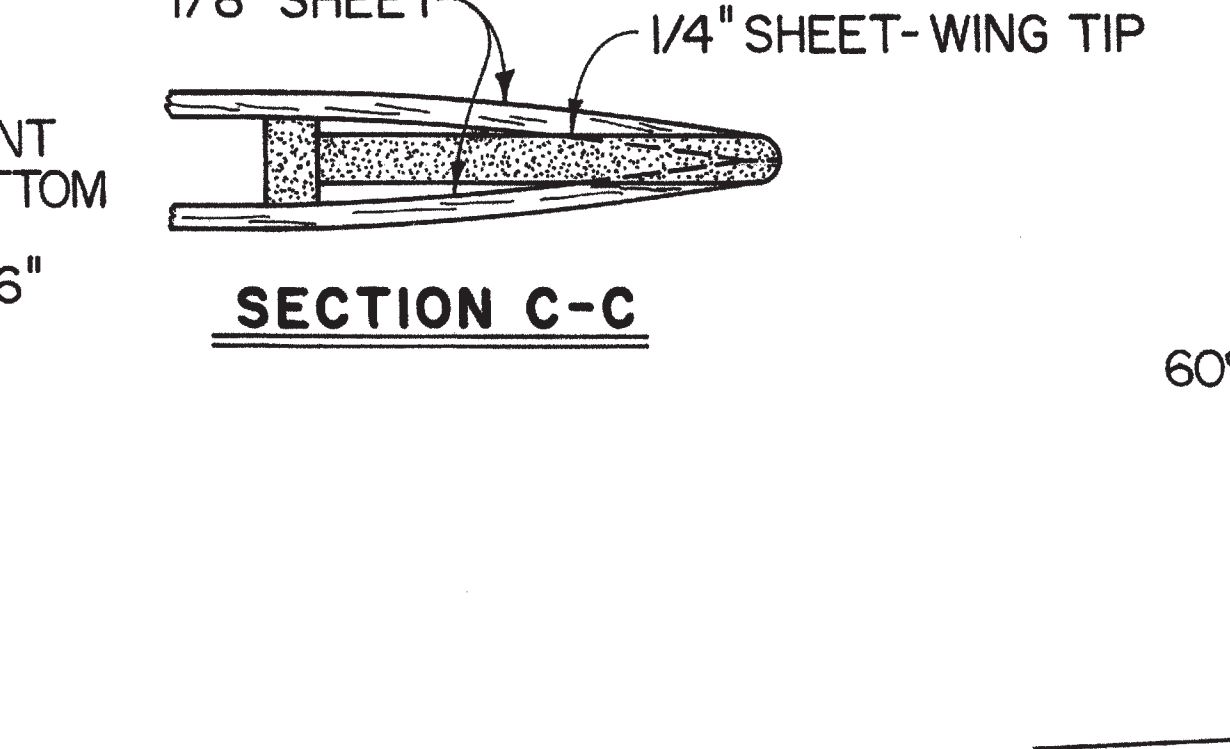
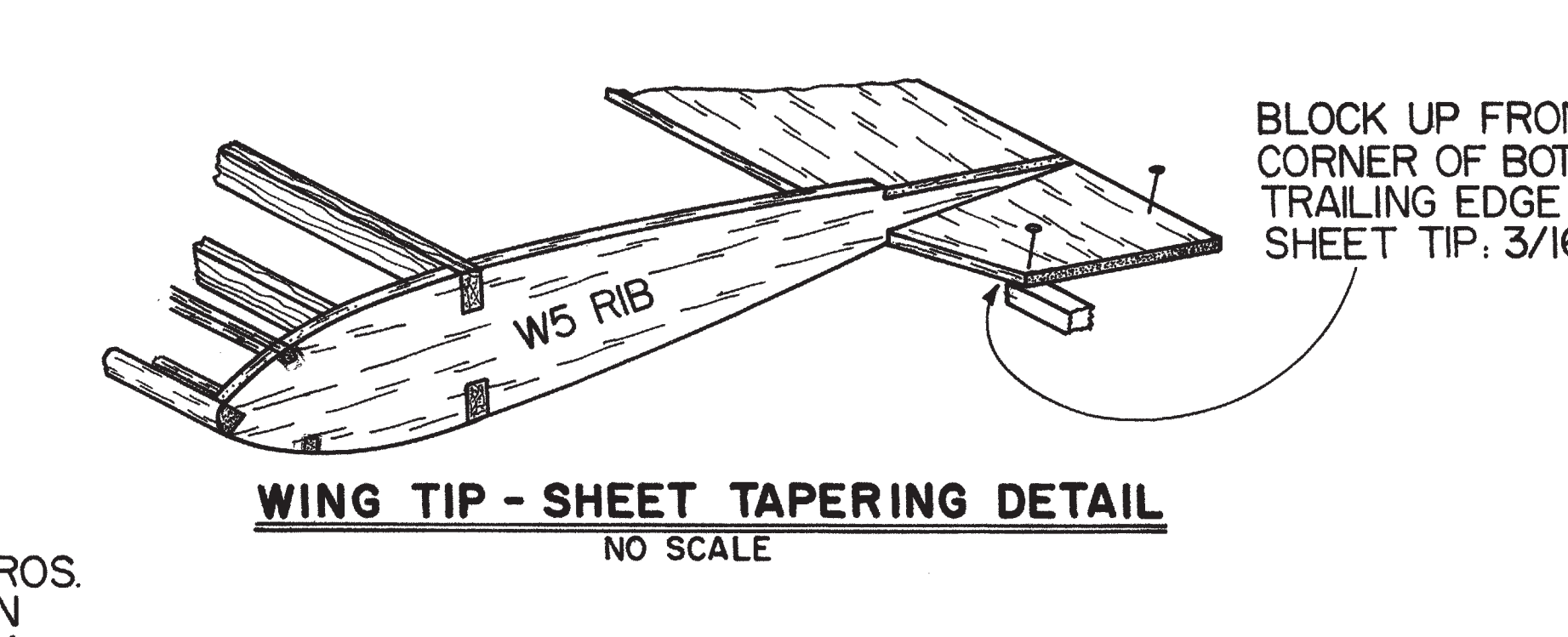
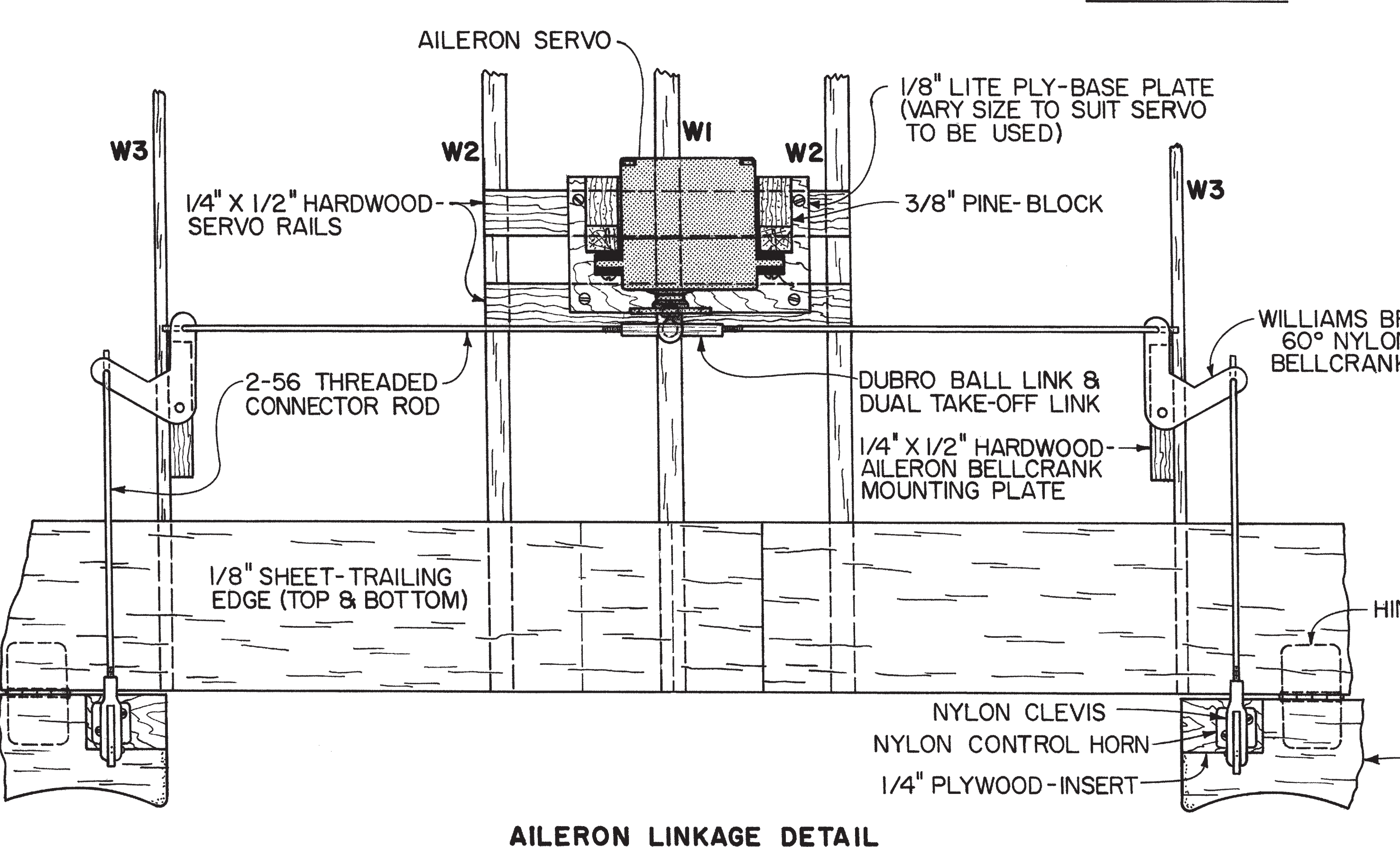
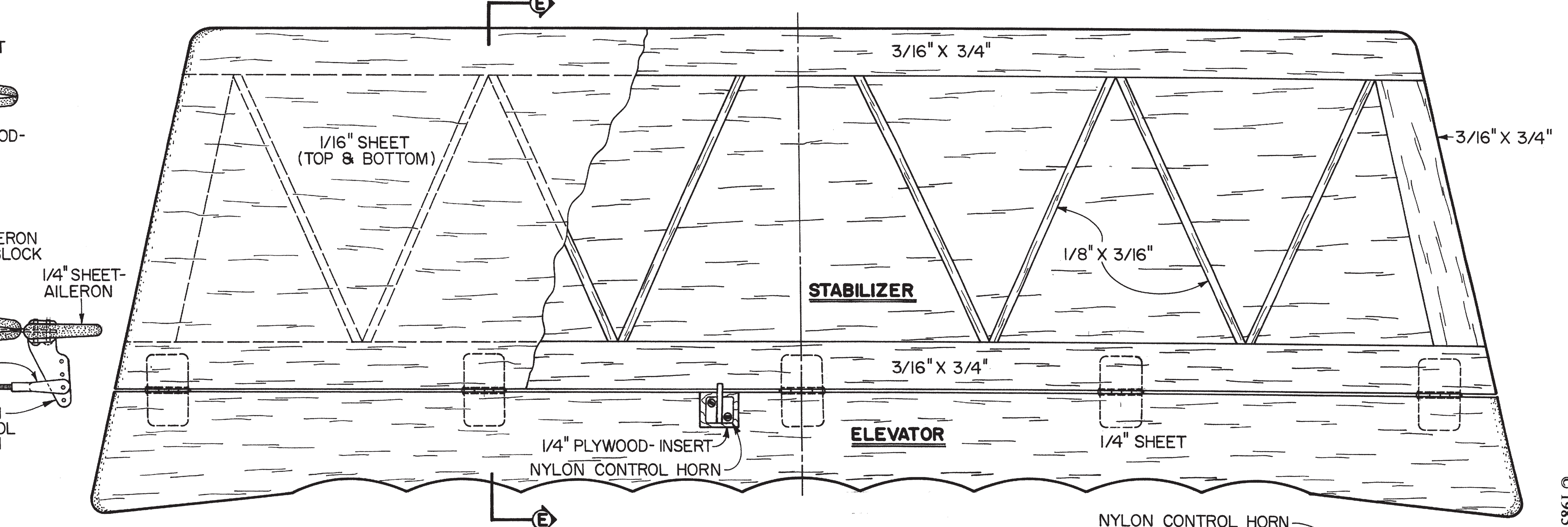
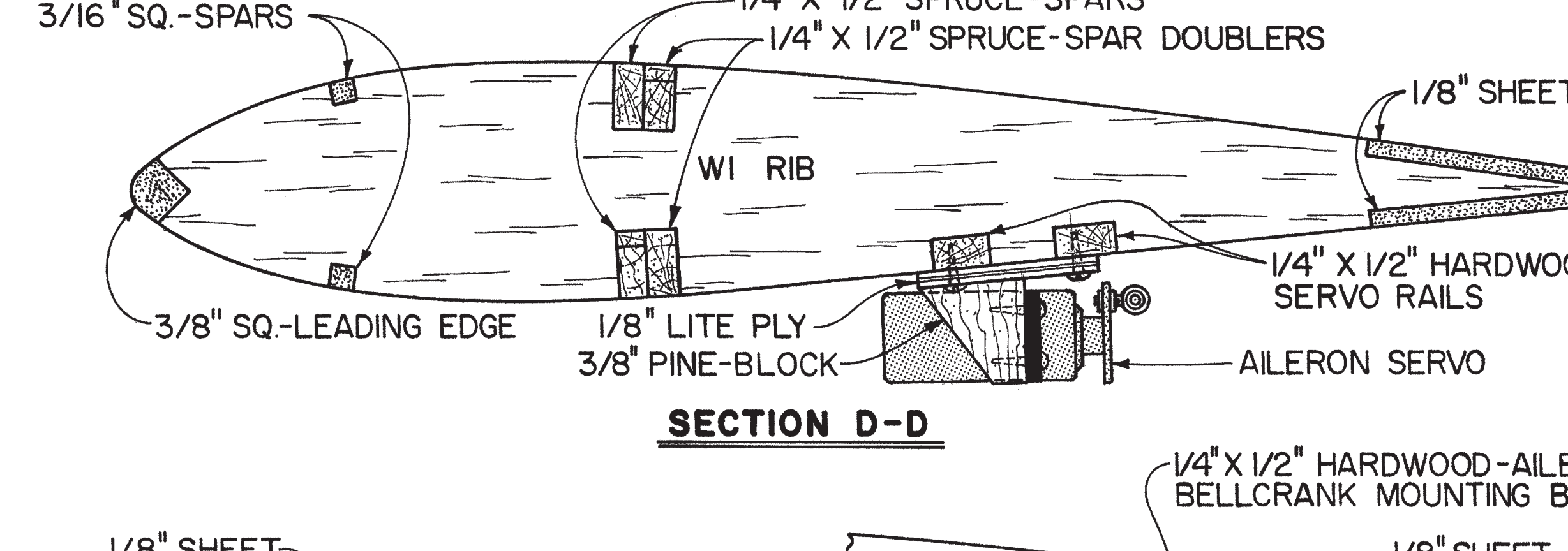
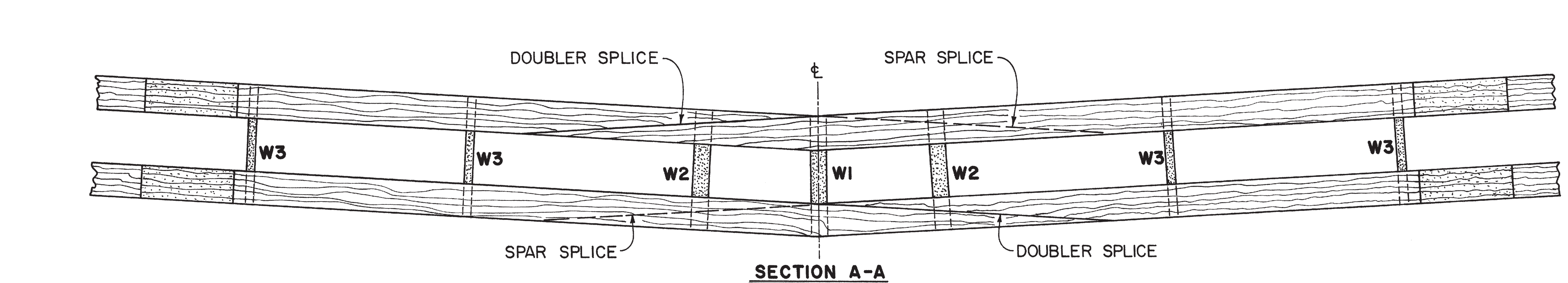
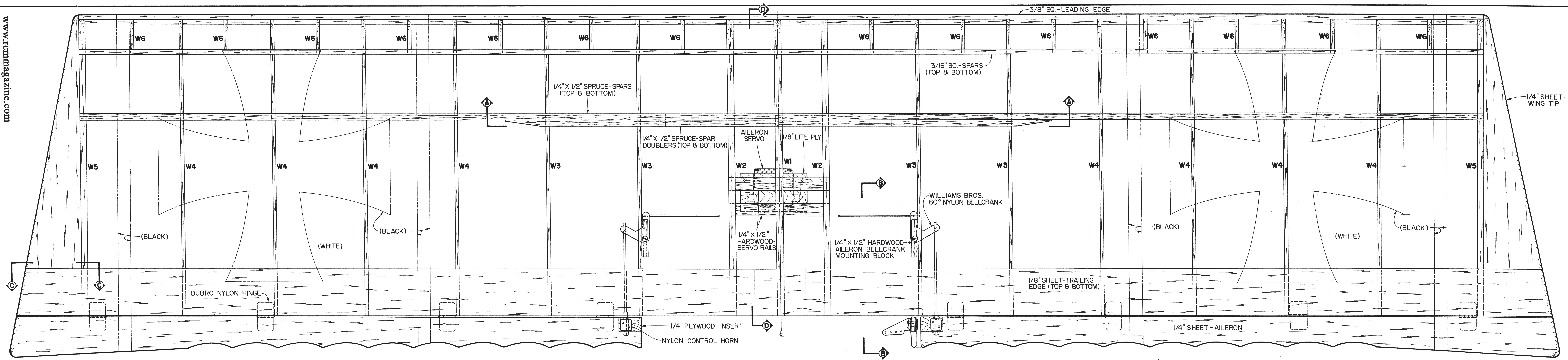
NOTE: ALL WOOD IS Balsa UNLESS NOTED OTHERWISE.



**Das Ugly Stik**  
A 40-61 POWERED SPORT DESIGN

DESIGNED BY PHIL KRAFT  
PLANS BY *Bob Wallace*





**Das Ugly Stik**  
 A 40-61 POWERED SPORT DESIGN  
 DESIGNED BY PHIL KRAFT  
 PLANS BY Bob Wallace

© 1985 R/C Modeler Corporation

SHEET 2 OF 2

PLAN NO. 939